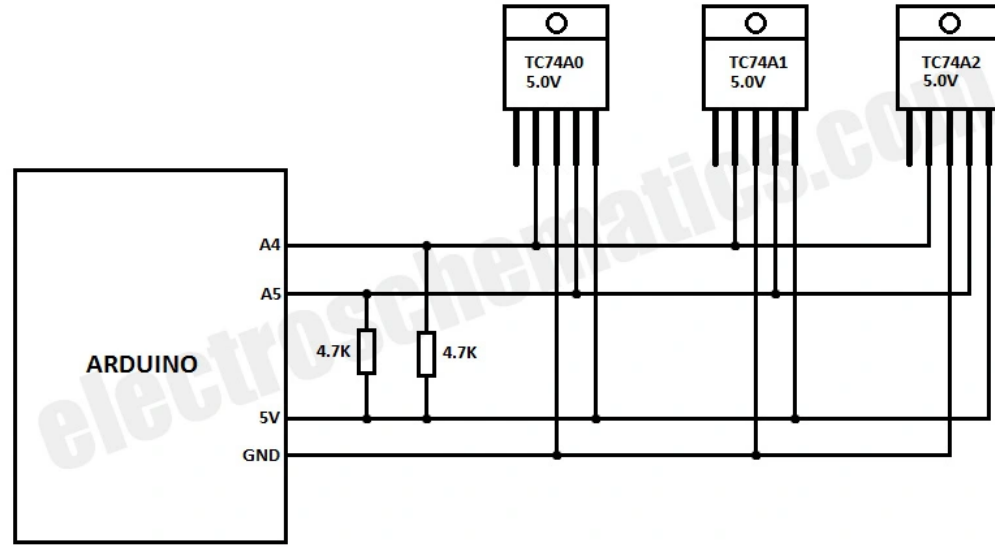
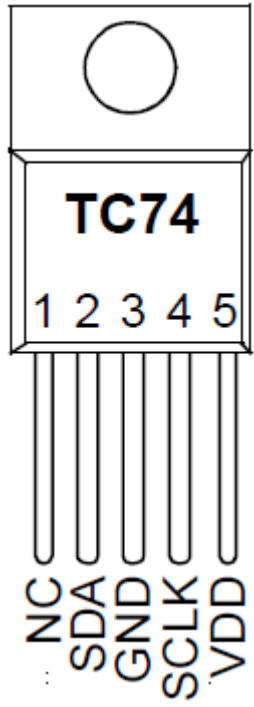


TC 74 I2C Multiple Temperature Sensor with Analog Multiplexer

Dinesh Kumar

ISRO Satellite Center

Bangalore



```
#include<Wire.h>
int address1 = 72; //decimal address of sensor 1
int address2 = 73; //decimal address of sensor 2
int address3 = 74; //decimal address of sensor 3

void setup() {
  Serial.begin(9600);
  Wire.begin(); // create a wire object
}

void loop() {
  int c1 = read_temp(address1);
  int c2 = read_temp(address2);
  int c3 = read_temp(address3);
  Serial.print("Sensor 1: ");
  Serial.print(c1);
  Serial.print("C | ");
  Serial.print("Sensor 2: ");
  Serial.print(c2);
  Serial.print("C | ");
  Serial.print("Sensor 3: ");
  Serial.print(c3);
  Serial.println("C");
  delay(500);
}
```

```
int read_temp(int address) {
  //start the communication with IC with the address xx
  Wire.beginTransmission(address);
  //send a bit and ask for register zero
  Wire.write(0);
  //end transmission
  Wire.endTransmission();
  //request 1 byte from address xx
  Wire.requestFrom(address, 1);
  //wait for response
  while(Wire.available() == 0);
  //put the temperature in variable c
  int c = Wire.read();
  return c;
}
```